



ES

SPAIN

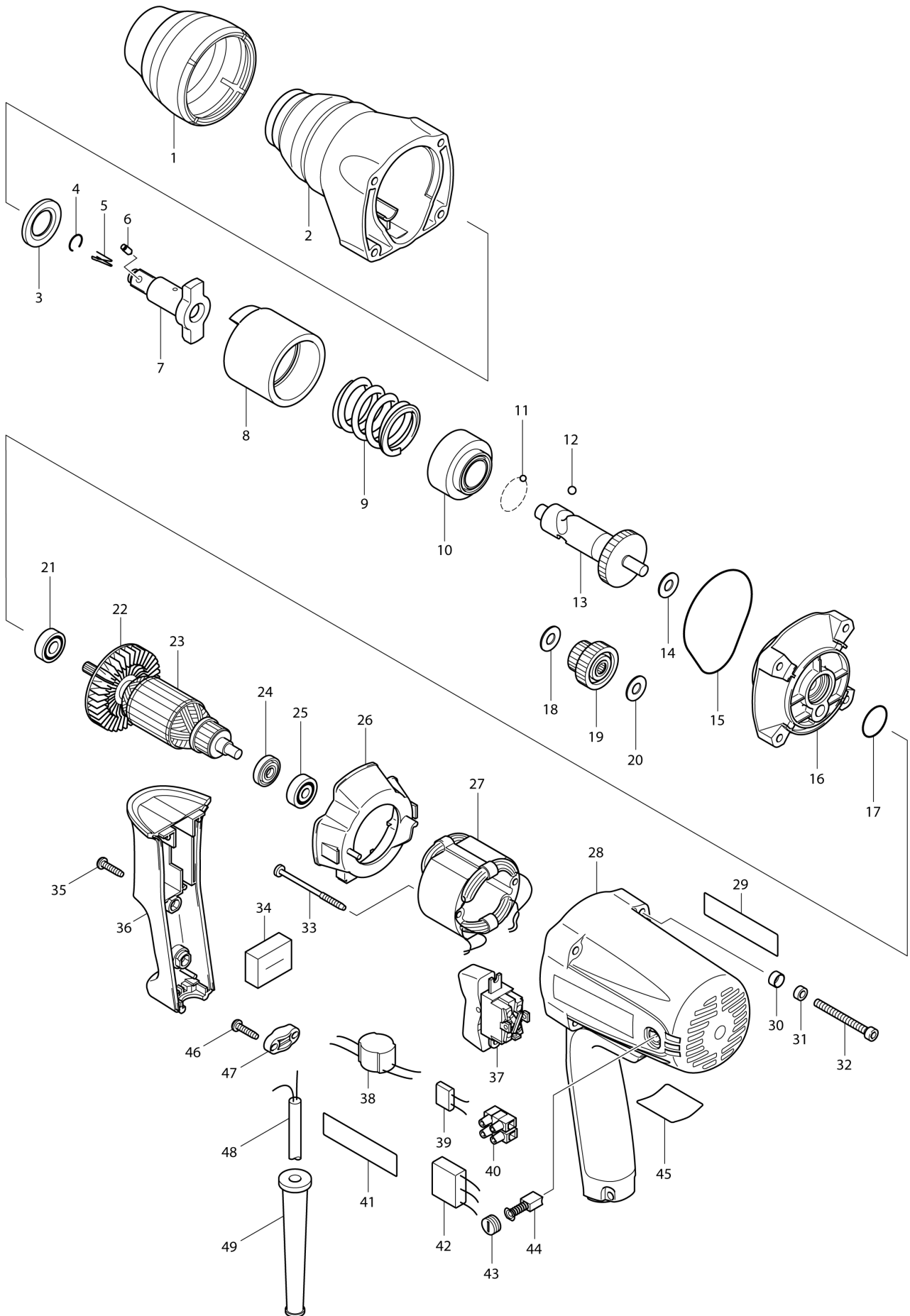
# Diagram / Parts List

**TW0350**

**IMPACT WRENCH**



(ES) TW0350 / IMPACT WRENCH



ES

SPAIN

## TW0350 / IMPACT WRENCH

Item	Sub	Parts No.	Parts Description	Qty	I/C	E/C No.	Close No.	Remark
001		421837-6	BUMPER	1				
002		153623-4	HAMMER CASE COMPLETE	1				
	C10	213257-6	OIL SEAL 18	1				
	C20	321119-5	SLEEVE 18	1				
003		267268-3	FLAT WASHER 19	1				
004		231907-1	RING SPRING 10	1				
007		324406-1	ANVIL	1			B5968	
007-1		326983-9	ANVIL	1	<	B5968		
008		324336-6	HAMMER	1				
009		233383-5	COMPRESSION SPRING 28	1				
010		313115-7	SPRING HOLDER	1				
011		216008-6	STEEL BALL 4	19				
012		216007-8	STEEL BALL 6.4	2				
013		324338-2	SPINDLE	1				
014		253139-0	FLAT WASHER 8	1				
015		421838-4	SEAL RING	1				
016		153624-2	HAMMER CASE COVER COMPLETE	1				
017		213373-4	O RING 22	1				
018		253139-0	FLAT WASHER 8	1				
019		153626-8	SPUR GEAR 19-41 COMPLETE	1				
020		253139-0	FLAT WASHER 8	1				
021		210024-0	BALL BEARING 608LLU	1				
022		241884-9	FAN 60	1				
023		515263-0	ARMATURE ASS'Y 220-240V	1				
	D10		INC. 21,22,24,25					
024		681614-0	INSULATION WASHER	1				
025		210025-8	BALL BEARING 627LLB	1				
026		418180-2	BAFFLE PLATE	1				
027		528179-0	FIELD ASS'Y 220-240V	1				
	C10	654100-4	RING TERMINAL	2				
	C20	654501-6	CONNECTOR P-1.25	2				
028A		183604-4	MOTOR HOUSING	1			84418	
	C10	643455-2	BRUSH HOLDER 6X9	2			84418	
	D10		INC. 29,41				84418	
028-1A		153625-0	MOTOR HOUSING	1	O	84418		
	C10	643455-2	BRUSH HOLDER 6X9	2		84418		
028-1B		153625-0	MOTOR HOUSING	1				
	C10	643455-2	BRUSH HOLDER 6X9	2				
029A		819064-1	MAKITA MARK	1			84418	
030		253929-1	CUP WASHER 5	4				
031		262001-8	URETHANE RING 5	4				
032		266331-9	HEX. SOCKET HEAD BOLT M5X50	4				
033		266091-3	TAPPING SCREW 4X50	2				
034A		685700-9	SPONGE SHEET	1		Y04859		
034B		685700-9	SPONGE SHEET	1				
035		265995-6	TAPPING SCREW 4X18	2				
036		418179-7	HANDLE COVER	1				
037		651572-4	SWITCH SL220SD-19	1			DB412	
037-1		651572-4	SWITCH SL220SD-19	1	O	DB412		
038		646325-4	LINE COIL	1			B5207	
038-1		646358-9	LINE COIL	1	O	B5207	D6885	
038-2		646358-9	LINE COIL	1	O	D6885		
039		646755-9	RESISTOR	1				
040		654531-7	TERMINAL BLOCK 2P	1				
041A		819064-1	MAKITA MARK	1			84418	
042		645253-0	NOISE SUPPRESSOR	1				
043		643550-8	BRUSH HOLDER CAP 5-8	2				
044		191940-4	CARBON BRUSH CB-411	1				
045		850644-4	NAME PLATE TW0350	1				
046		265995-6	TAPPING SCREW 4X18	2				
047		687052-4	STRAIN RELIEF	1				
048		665865-3	POWER SUPPLY CORD 1.0-2-2.5	1				
049		682566-8	CORD GUARD 10	1				
A01A		824702-2	PLASTIC CARRYING CASE	1				
	C10	186347-7	SLIDE LATCH SET	1				

A:TW0350(H)  
B:TW0350J(H)

Interchange  
O : Yes  
X : No  
< : the new part can be substituted for the current.  
> : the current part can be substituted for the new.  
S : Interchangeable as a set.

