



ES

SPAIN

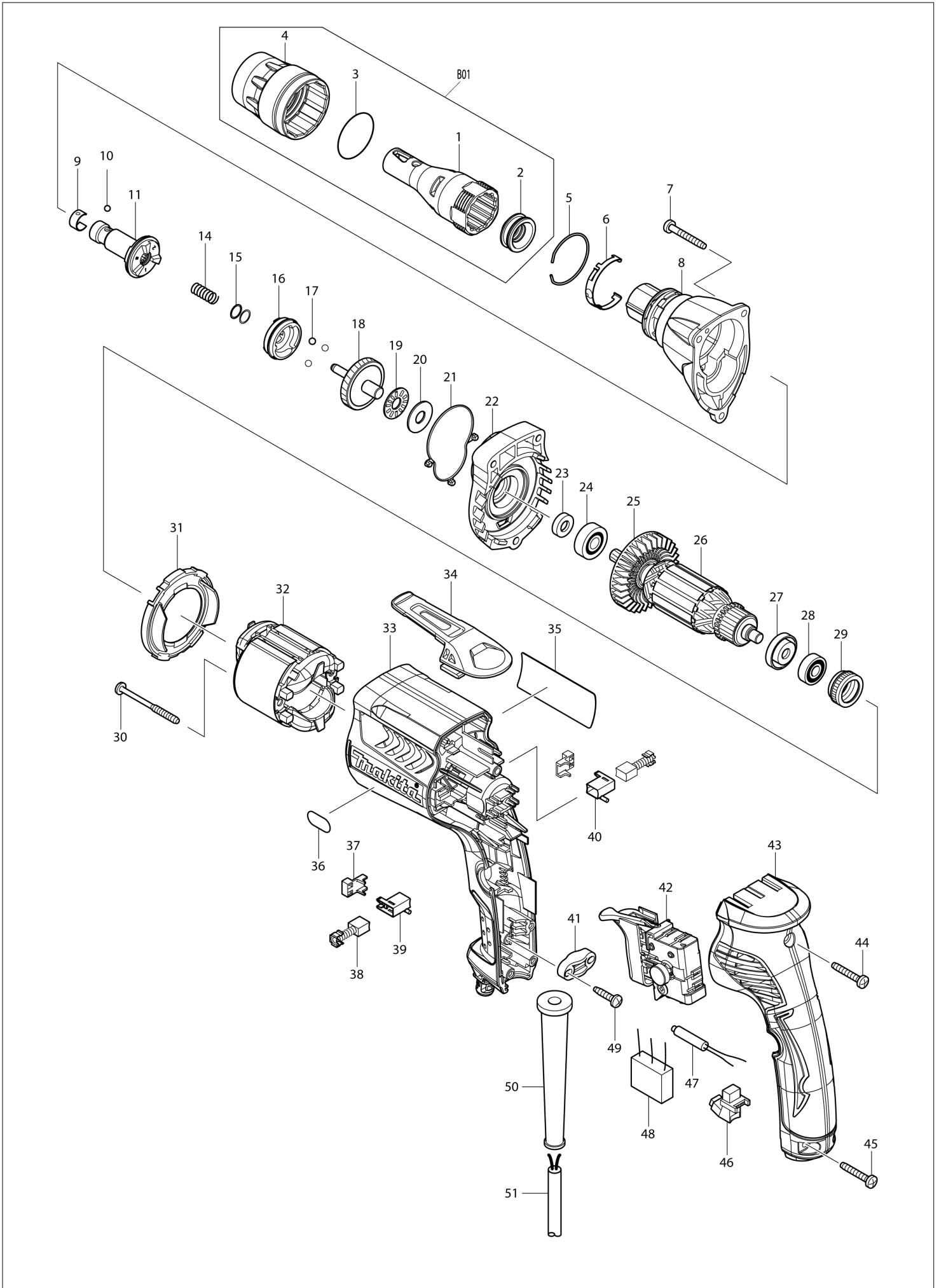
Diagram / Parts List

FS6300

DRYWALL SCREWDRIVER



(ES) FS6300 / DRYWALL SCREWDRIVER



ES

SPAIN

FS6300 / DRYWALL SCREWDRIVER

| Item | Sub | Parts No. | Parts Description | Qty | I/C | E/C No. | Close No. | Remark |
|-------|-----|-----------|------------------------------|-----|-----|---------|-----------|--------|
| 001 | | 158875-2 | LOCATOR S COMPLETE | 1 | | | | |
| 002 | | 424163-2 | DUST SEAL SLEEVE | 1 | | | | |
| 003 | | 424235-3 | SEAL RING 30 | 1 | | | | |
| 004 | | 450881-6 | LOCK RING | 1 | | | A5177 | |
| 004-1 | | 455591-0 | LOCK RING | 1 | O | A5177 | | |
| 005 | | 233974-2 | RING SPRING 33 | 1 | | | | |
| 006 | | 232245-4 | LEAF SPRING | 1 | | | | |
| 007 | | 266361-0 | TAPPING SCREW 4X30 | 3 | | | | |
| 008 | | 158881-7 | GEAR HOUSING HSA COMPLETE | 1 | | | | |
| 009 | | 232050-9 | LEAF SPRING | 1 | | | | |
| 010 | | 216001-0 | STEEL BALL 3.5 | 1 | | | | |
| 011 | | 158886-7 | SPINDLE 125S COMPLETE | 1 | | | | |
| 014 | | 234121-8 | COMPRESSION SPRING 8 | 1 | | | | |
| 015 | | 267202-3 | FLAT WASHER 8 | 2 | | | | |
| 016 | | 223170-0 | CLUTCH CAM 125S | 1 | | | | |
| 017 | | 216008-6 | STEEL BALL 4 | 3 | | | | |
| 018 | | 158885-9 | GEAR 38S COMPLETE | 1 | | | | |
| 019 | | 216415-3 | THRUST NEEDLE CAGE 821 | 1 | | | Y07519 | |
| 019-1 | | 216415-3 | THRUST NEEDLE CAGE 821 | 1 | O | Y07519 | | |
| 020 | | 216212-7 | WASHER 821 | 1 | | | | |
| 021 | | 424162-4 | SEAL RING | 1 | | | | |
| 022 | | 158874-4 | GEAR HOUSING COVER COMPLETE | 1 | | | | |
| 023 | | 451100-3 | RING 8 | 1 | | | | |
| 024 | | 210007-0 | BALL BEARING 608VV | 1 | | | | |
| 025 | | 240083-0 | FAN 52 | 1 | | | | |
| 026 | | 515754-1 | ARMATURE ASSEMBLY 240V | 1 | | | | |
| | D10 | | INC. 23-25,27,28 | | | | | |
| 027 | | 681636-0 | INSULATION WASHER | 1 | | | | |
| 028 | | 210062-2 | BALL BEARING 607ZZ | 1 | | | | |
| 029 | | 421868-5 | LABYRINTH RUBBER RING 19 | 1 | | | | |
| 030 | | 266467-4 | TAPPING SCREW 4X50 | 2 | | | | |
| 031 | | 450880-8 | BAFFLE PLATE | 1 | | | | |
| 032 | | 633693-4 | FIELD 220-240V | 1 | | | | |
| 033 | | 450878-5 | MOTOR HOUSING L | 1 | | | | |
| 034 | | 162272-6 | HOOK | 1 | | | | |
| 035 | | 866558-7 | FS6300 NAME PLATE | 1 | | | | |
| 036 | | 808576-9 | 6000RPM INDICATION LABEL | 1 | | | | |
| 037 | | 689111-0 | SPACER | 2 | | | | |
| 038 | | 191962-4 | CARBON BRUSH CB-419 | 1 | | | | |
| 039 | | 643948-9 | BRUSH HOLDER | 1 | | | | |
| 040 | | 643951-0 | BRUSH HOLDER | 1 | | | | |
| 041 | | 687124-5 | STRAIN RELIEF | 1 | | | | |
| 042 | | 650614-1 | SWITCH | 1 | | | | |
| 043 | | 158878-6 | HANDLE COVER L COMPLETE | 1 | | | | |
| | C10 | 263002-9 | RUBBER PIN 4 | 2 | | | | |
| 044 | | 266374-1 | TAPPING SCREW 4X25 | 1 | | | | |
| 045 | | 266374-1 | TAPPING SCREW 4X25 | 2 | | | | |
| 046 | | 631939-2 | LIGHT CIRCUIT | 1 | | | | |
| 047 | | 646122-8 | CHOKE COIL | 1 | | | | |
| 048 | | 645253-0 | NOISE SUPPRESSOR | 1 | | | | |
| 049 | | 265995-6 | TAPPING SCREW 4X18 | 2 | | | | |
| 050 | | 682559-5 | CORD GUARD 8 | 1 | | | | |
| 051 | | 695034-2 | POWER SUPPLY CORD 1.0-2-4.0 | 1 | | | | |
| 052A | | 819349-5 | CLEAR LABEL | 1 | | | 87804 | |
| 052-1 | | 892811-5 | CLEAR LABEL | 1 | | 90203 | | |
| 053 | | 423413-2 | RUBBER PLATE | 1 | | 86789 | | |
| A01 | | 784261-7 | +BIT 2-25 | 2 | | | | |
| A02 | | 784811-8 | MAGNETIC CONNECT BIT 6.35-60 | 1 | | | | |
| A03A | | 824890-5 | PLASTIC CARRYING CASE | 1 | | | | |
| | C10 | 163455-1 | LATCH | 2 | | | | |
| | C20 | 419360-3 | HANDLE | 1 | | | | |
| B01 | | 197025-4 | LOCATOR S SET | 1 | | Y07993 | | |
| | D10 | | INC. 1-4 | | | Y07993 | | |

A:FS6300K(H)

Interchange

O : Yes

X : No

< : the new part can be substituted for the current.

> : the current part can be substituted for the new.

S : Interchangeable as a set.