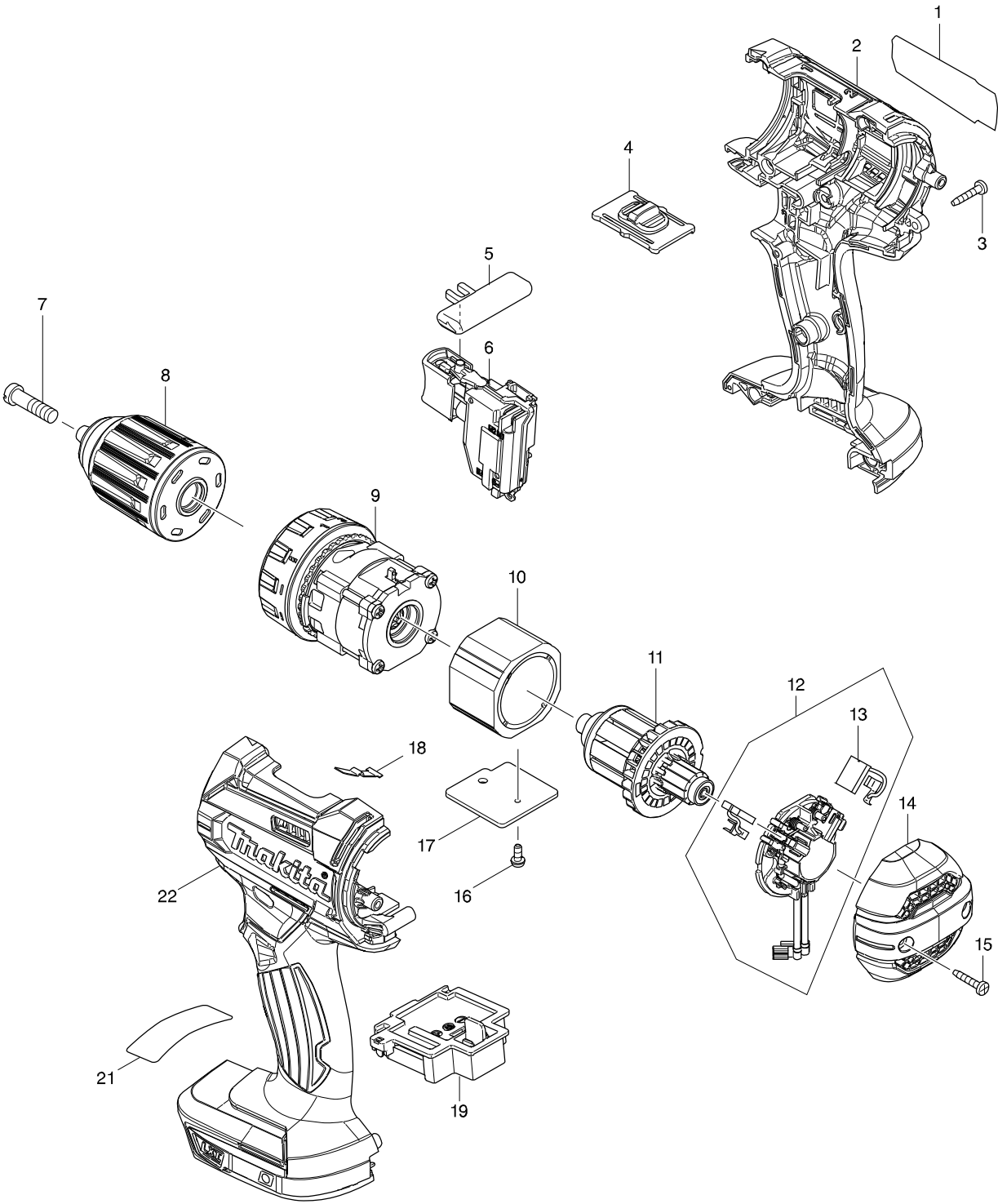


Modelo DDF482 CORDLESS DRIVER DRILL



Artículo	Código	Descripción	Interc	Cantidad	N/O	Opción 1	Opción 2	Notas
001	851E35-2	DDF482 NAME PLATE		1				
C10	263005-3	FIJADOR 6*		2				
D10		INC. 22						
002B	183B65-0	HOUSING SET		1				
002C	183B65-0	HOUSING SET		1				
002D	183B65-0	HOUSING SET		1				
002E	183B65-0	HOUSING SET		1				
002G	183G75-7	HOUSING SET		1				
003	266429-2	TORNILLO M3X16 TD0101F		9				
004	123442-2	SPEED CHANGE LEVER ASSEMBLY		1				
C10	233438-6	MUELLE COMPRESION 4 BDF442		2				
005	419041-9	PALANCA CAMBIO REVER.BTD130F		1				
006	632F27-4	SWITCH UNIT		1				
C10	620444-4	LED CIRCUIT		1				
C20	688172-7	FILTRO DE LINEA BFR440		1				
007	251468-5	TORNILLO IDQUI M6X22* MT064		1				
008	766027-7	KEYLESS DRILL CHUCK 13		1				
009	123444-8	GEAR ASSEMBLY		1				
010B	632F32-1	YOKE UNIT		1	*			
010C	632F32-1	YOKE UNIT		1	*			
010D	632F32-1	YOKE UNIT		1	*			
010E	632F32-1	YOKE UNIT		1	*			
010G	632J70-7	YOKE UNIT		1				
010-1B	632J70-7	YOKE UNIT	<	1				
010-1C	632J70-7	YOKE UNIT	<	1				
010-1D	632J70-7	YOKE UNIT	<	1				
010-1E	632J70-7	YOKE UNIT	<	1				
011	619380-9	ARMATURE		1				
012	632F21-6	BRUSH HOLDER COMPLETE		1				
C10	688172-7	FILTRO DE LINEA BFR440		1				
D10		INC. 13						
013	194427-5	ESCOBILLAS CB-440		1				
014B	456099-7	REAR COVER		1				
014C	456099-7	REAR COVER		1				
014D	456099-7	REAR COVER		1				
014E	456099-7	REAR COVER		1				
014G	457927-9	REAR COVER		1				
015	266429-2	TORNILLO M3X16 TD0101F		2				
016B	911006-2	TORNILLO PH M3X8		1	*			
016C	911006-2	TORNILLO PH M3X8		1	*			
016D	911006-2	TORNILLO PH M3X8		1	*			
016E	911006-2	TORNILLO PH M3X8		1	*			
016-1B	652066-2	+PAN HEAD SCREW M3X9 WITH W	<	1				
016-1C	652066-2	+PAN HEAD SCREW M3X9 WITH W	<	1				
016-1D	652066-2	+PAN HEAD SCREW M3X9 WITH W	<	1				
016-1E	652066-2	+PAN HEAD SCREW M3X9 WITH W	<	1				
016-1G	652066-2	+PAN HEAD SCREW M3X9 WITH W		1				
017	689070-8	DISIPADOR PARA 6908DW		1				

Artículo	Código	Descripción	Interc	Cantidad	N/O	Opción 1	Opción 2	Notas
018	232182-2	MUELLE BALLESTA PARA 6204DW		1				
019	644808-8	TERMINAL		1				
C10	263005-3	FIJADOR 6*		2				
D10		INC. 2						
022B	183B65-0	HOUSING SET		1				
022C	183B65-0	HOUSING SET		1				
022D	183B65-0	HOUSING SET		1				
022E	183B65-0	HOUSING SET		1				
022G	183G75-7	HOUSING SET		1				
A01	251314-2	TORNILLO M4X12*		1				
A02	346317-0	GANCHO BTD134		1				
A03	784637-8	PUNTA + - 2-45		1				
A04B	141856-3	MALETIN PVC PARA BDF456		1				
C10	162302-3	LATCH		2				
C20	324207-7	SHAFT		1				
C30	451749-9	HANDLE		1				
A04D	821550-0	MALETIN MAKPAC TIPO 2		1				
C10	453974-8	LATCH		4				
A04E	821550-0	MALETIN MAKPAC TIPO 2		1				
C10	453974-8	LATCH		4				
A04G	141331-9	PLASTIC CASE COMPLETE		1				
C10	324667-3	SHAFT		1				
C20	417724-5	CIERRE PARA MALETIN TRANSPORTE		2				
C30	419216-0	HANDLE		1				
C40	450830-3	PLASTIC CASE LID		1				
C50	451028-5	PLATE		5				
A05B	450128-8	BATTERY COVER		1				
A05D	450128-8	BATTERY COVER		1				
A05E	450128-8	BATTERY COVER		2				
A05G	450128-8	BATTERY COVER		1				
A06B	***DC18RC	DC18RC FAST CHARGER		1				
A06D	***DC18RC	DC18RC FAST CHARGER		1				
A06E	***DC18RC	DC18RC FAST CHARGER		1				
A06G	***DC18RC	DC18RC FAST CHARGER		1				
A07B	197265-4	BATTERY BL1840B SET		2				
A07D	197280-8	BATTERY BL1850B SET		2				
A07E	197280-8	BATTERY BL1850B SET		3				
A07-1G	197600-6	BATTERY BL1830B SET		2				
A08B	807S08-7	DDF482RME PLASTIC CASE LABEL		2	*			
A08D	837916-4	INNER TRAY		1				
A08E	837916-4	INNER TRAY		1				
A08G	813C39-0	DDF482RFEB PLASTIC CASE LABEL		1	*			
A08-1B	816E97-7	DDF482RME PLASTIC CASE LABEL	X	2				
A08-1G	816F07-0	DDF482RFEB PLASTIC CASE LABEL	X	1				
A09D	808V92-3	DDF482RTJ INDICATION LABEL		1	*			
A09E	809J17-8	DDF482RT3J INDICATION LABEL		1	*			
A09-1D	816F18-5	DDF482RTJ INDICATION LABEL	O	1				
A09-1E	816F27-4	DDF482RT3J INDICATION LABEL	O	1				

