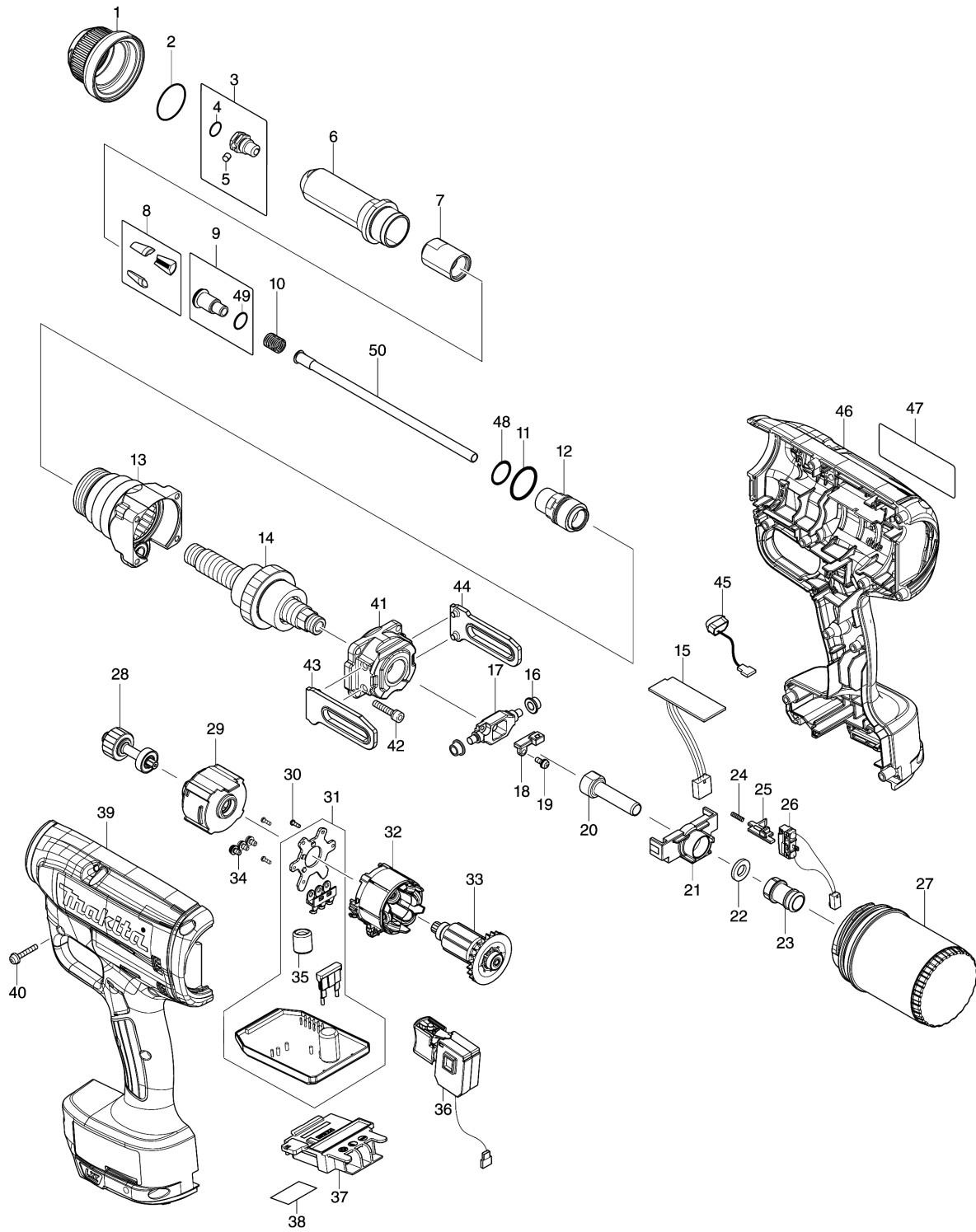


Model No.DRV250 CORDLESS RIVET GUN



Model No.DRV250 CORDLESS RIVET GUN

Artículo	Código	Descripción	Intercambio	Cantidad	New/Old	Opción 1	Opción 2	Notas
001	319774-5	SCREW NUT 6.4		1				
002	213380-7	JUNTA TORICA 24 6805BV		1				
003	127223-6	NOSEPIECE 6.4 ASSEMBLY		1				
D10		INC. 4,5						
004	213011-8	JUNTA TORICA 7		1				
005	256217-5	BULON 4 *		1				
006	327281-4	JAW CASE		1	*			
006-1	327279-1	HEAD 6.4	<	1				
007	327279-1	HEAD 6.4		1	*			
007-1	327281-4	JAW CASE	<	1				
008	199730-9	JAW 6.4 SET		1				
009	127473-3	JAW PUSHER 4.5 ASSEMBLY		1				
D10		INC. 49						
010	232586-8	COMPRESSION SPRING 7		1				
011	213265-7	JUNTA TORICA 17 PARA HR2400		1				
012	327280-6	JOINT 6.4		1				
013	140E32-6	FRONT HOUSING COMPLETE		1				
014	127050-1	BALL SCREW		1				
015	620958-3	HALL IC CIRCUIT		1				
016	257457-8	RING 5		2				
017	310907-5	ROLLER SHAFT 6.4		1				
018	140E40-7	MAGNET HOLDER COMPLETE		1	*			
018-1	140T04-1	MAGNET HOLDER COMPLETE	<	1				
019	911008-8	TORNILLO M3X8		1				
020	327202-6	TUBE		1				
021	458772-5	TUBE GUIDE A		1				
022	261161-3	FELT RING 8		1				
023	458773-3	TUBE GUIDE B		1				
024	233025-1	MUELLE 2		1				
025	458774-1	SWITCH LEVER		1				
026	632M90-9	SWITCH UNIT		1				
027	162500-9	MANDREL CONTAINER COMPLETE		1				
028	140E31-8	SPUR GEAR 10 COMPLETE		1				
029	127051-9	GEAR ASSEMBLY		1				
030	266490-9	TAPPING SCREW PT 2X6		3				
031	632P81-8	CONTROLLER UNIT		1				
032	629373-8	STATOR		1				
033	619535-6	ROTOR		1				
034	652069-6	FLAT HEAD SCREW M3X6		3				
035	688164-6	FILTRO DE LINEA 6940D		1				

Please order the parts with part number.

Print Date 29/4/2021

Model No.DRV250 CORDLESS RIVET GUN

Artículo	Código	Descripción	Intercambio	Cantidad	New/Old	Opción 1	Opción 2	Notas
036	651379-8	SWITCH C3JW-1A-S		1				
037	643874-2	TERMINAL		1				
038	855M30-2	DRV250 SERIAL NO. LABEL		1				
039	183L30-9	HOUSING SET		1				
C10	263005-3	FIJADOR 6*		2				
C20	252126-6	HEX. LOCK NUT M4-7		2				
C30	931002-4	HEX. NUT M3		10				
D10		INC. 46						
040	265095-2	TORNILLO M3X20 PARA 6796FD		10				
041	140E33-4	REAR HOUSING COMPLETE		1				
042	265490-6	TORNILLO HEX. M4X16		4				
043	310908-3	GUIDE PLATE L		1	*			
043-1	313297-5	GUIDE PLATE L	<	1				
044	310909-1	GUIDE PLATE R		1	*			
044-1	313298-3	GUIDE PLATE R	<	1				
045	620549-0	LED CIRCUIT		1				
046	183L30-9	HOUSING SET		1				
C10	263005-3	FIJADOR 6*		2				
C20	252126-6	HEX. LOCK NUT M4-7		2				
C30	931002-4	HEX. NUT M3		10				
D10		INC. 39						
047	855M22-1	DRV250 NAME PLATE		1				
048	213891-2	O RING 14.5		1				
049	213054-0	JUNTA TORICA 9		1				
050	162743-3	PIPE 4.6 COMPLETE		1				
A01	251314-2	TORNILLO M4X12*		1				
A02	346317-0	GANCHO BTD134		1				
A03	191C03-4	ACCESSORY SET B FOR 4.8		1				
C10	213011-8	JUNTA TORICA 7		1				
C20	256217-5	BULON 4 *		1				
C30	213054-0	JUNTA TORICA 9		1				
A04	199725-2	ACCESSORY SET FOR 6.0		1				
C10	213011-8	JUNTA TORICA 7		1				
C20	256217-5	BULON 4 *		1				
C30	213054-0	JUNTA TORICA 9		1				
A06	191D57-7	GREASE SET		1				
A07B	***DC18RC	DC18RC FAST CHARGER		1				
D10		COMPO-PARTS						
A08B	197600-6	BATTERY BL1830B SET		2				
A09B	450128-8	BATTERY COVER		1				
A10B	821755-2	PLASTIC CASE		1				

Please order the parts with part number.

Print Date 29/4/2021

Model No.DRV250 CORDLESS RIVET GUN

Artículo	Código	Descripción	Intercambio	Cantidad	New/Old	Opción 1	Opción 2	Notas
C10	162315-4	CIERRE MALETA DF347D		2				

Please order the parts with part number.

Print Date 29/4/2021